

Cam-Lok® “J” Power Series



All Cam-Lok part numbers available in convenient, single-use, color-coded packaging.

VULCANIZED		MALE PLUG		
COLOR	CABLE SIZE	COMPLETE PART NO.	CONTACT ONLY PART NO.	INSULATOR ONLY PART NO.
CRIMP	BLACK	E1017-13	A200028-3	A200056-7
	RED	E1017-15		A200056-9
	GREEN	E1017-17		A200056-11
	WHITE	E1017-18		A200056-12
	BLUE	E1017-28		A200056-41
	BROWN	E1017-33		A200056-43
	ORANGE	E1017-16		A200056-10
	YELLOW	E1017-14		A200056-8

VULCANIZED		FEMALE PLUG		
COLOR	CABLE SIZE	COMPLETE PART NO.	CONTACT ONLY PART NO.	INSULATOR ONLY PART NO.
CRIMP	BLACK	E1017-62	A200027-7	A200040-7
	RED	E1017-64		A200040-9
	GREEN	E1017-66		A200040-11
	WHITE	E1017-67		A200040-12
	BLUE	E1017-76		A200040-40
	BROWN	E1017-81		A200040-38
	ORANGE	E1017-65		A200040-10
	YELLOW	E1017-63		A200040-8

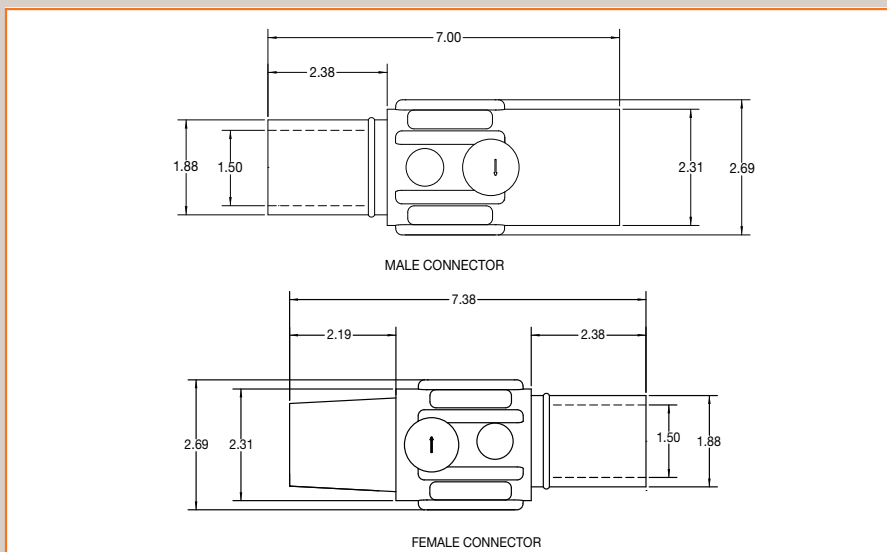


E1017-18



E1017-76

E1017 Series



CAM-LOK “J” POWER SERIES
RECEPTACLES AND PLUGS PROVIDE THE MEANS TO QUICKLY CONNECT AND DISCONNECT POWER SYSTEMS SAFELY AT CONCERTS AND CARNIVALS AS WELL AS CONNECTING GENERATORS, STANDBY POWER, AND LOAD TESTING IN HOSPITALS, UTILITIES AND HEAVY INDUSTRIAL ENVIRONMENTS.

RATINGS: 600 VOLTS UP TO 690 AMPERES CONTINUOUS

STANDARD MATERIALS
CABLE SIZE: 750 MCM
CONNECTOR BODY: SYNTHETIC RUBBER
CONTACT: BRASS

AGENCY APPROVALS
UL LISTED E67181
CSA CERTIFIED LR13963

ENVIRONMENTAL RATING: NEMA 3R